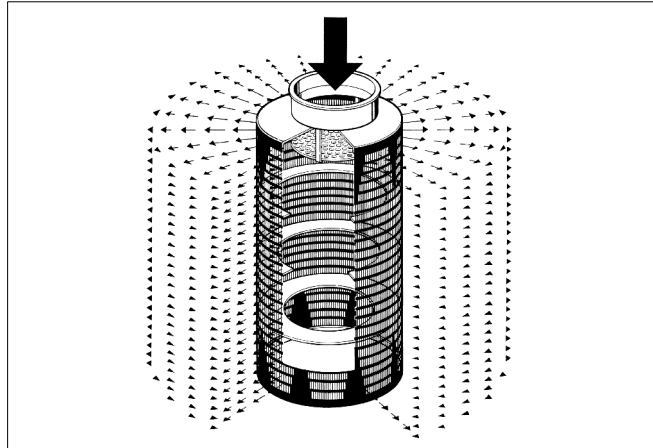


LTG Aktiengesellschaft

Displacement Diffuser Type DLQ



LTG Aktiengesellschaft

D - 70435 Stuttgart, Grenzstraße 7

☎ +49 (0711) 82 01-180 Fax +49 (0711) 82 01-720

Internet: <http://www.LTG-AG.de>

E-Mail: info@LTG-AG.de

LTG Incorporated

105 Corporate Drive, Suite E

Spartanburg S.C. 29303 USA

☎ (864) 599-6340 Fax (864) 599-6344

Internet: <http://www.LTG-INC.net>

E-Mail: info@LTG-INC.net

LTG S.r.l.

Via G. Leopardi 10

I-20066 Melzo

☎ 02 9 55 05 35 Fax 02 9 55 08 28

Internet: <http://www.LTG-SRL.com>

E-Mail: info@LTG-SRL.com

Components for Room Air Technology

Germany

Central Office (Frankfurt)

Sontraer Str. 27, D-60386 Frankfurt

☎ (069) 94 20 19-0, Fax -10

E-mail: Schilling@LTG-AG.de

Central Office (Herborn)

Sperberweg 16, D-35745 Herborn

☎ (02772) 570-725, Fax -727

E-mail: Hartmann@LTG-AG.de

Northern Office

Meessen 5, D-22113 Oststeinbek

☎ (040) 7 13 84 85, Fax 7 13 82 55

E-mail: Heinsch@LTG-AG.de

Eastern Office (Berlin)

Eisenhutweg 51a, D-12487 Berlin

☎ (030) 63 22 87-74, Fax -75

E-mail: Linke@LTG-AG.de

Eastern Office (Chemnitz)

Johannes-Ebert-Straße 20,

D-09128 Chemnitz

☎ (0371) 7711-801, Fax -802

E-mail: Schenfeld@LTG-AG.de

Southern Office

Grenzstraße 7, D-70435 Stuttgart

☎ (0711) 8201-180, Fax -720

E-mail: Gau@LTG-AG.de

Western Office

Demagstr. 47a, D-40597 Düsseldorf

☎ (0211) 71866-13, Fax -39

E-mail: Joswig@LTG-AG.de

Austria

KTG Klimatechnische Gesellschaft mbH

Autokaderstraße 31, A-1210 Wien

☎ (01) 2 70 25 90

Fax (01) 2 70 25 90 20

E-Mail: info@ktg-wien.com

France

INNTEK

18, Avenue Gabriel Péri

F-78360 Montesson

☎ (01) 30 15 16 16, Fax (01) 30 15 16 17

E-Mail: INNTEC.AC@wanadoo.fr

Great Britain

MAP

Motorised Air Products Ltd.

Unit 5A, Sopwith Crescent

Wickford Business Park Wickford

GB-Essex SS11 8YU

☎ (01268) 57 44 42, Fax (01268) 57 44 43

E-Mail: info@mapuk.com

Poland

HTK Went Sp.z.o.o.

ul. Chopina 13/3, Pl-30047 Krakow

☎ (012) 632 31 32, Fax (012) 632 81 93

E-Mail: info@htk-went.pl

Portugal

ArGelo S. A.

R. Luis Pastor de Macedo, Lote 28 B,

P-1750-158 Lisboa

☎ (21) 752 01 20, Fax (21) 752 01 29

E-Mail: info@argelo.pt

Slovenia

Energo Plus

Koprska 108 d

SLO- 1000 Ljubljana

☎ (01) 200 73 67, Fax (01) 42 33 346

E-Mail: info@energoplus.si

Turkey

Step Müh. Yapi Ltd.

Yali Yolu Sokak.

Turanli Apt. No: 24 D.1

TR- 81110 Bostanci-Istanbul

☎ (0216) 445 2931, Fax (0216) 445 2505

E-Mail: info@stepyapi.com.tr

Components for Process Air Technology

Japan

Toho Engineering Co. Ltd.

14-11, Shimizu 3-Chome, Kita Ku

Japan 462 Nagoya

☎ (052) 9 91-10 40, Fax (052) 9 14-98 22

E-Mail: main@tohoeng.com

The Program for Room Air Technology

Components

Air diffusers for walls, floors and ceilings · "LTG System clean[®]" · Coandatrol[®] and Coandavent[®] air diffusers · LTG cool wave[®] chilling fans · Klimavent[®] induction units · Raumluft[®] fan coil units · Facade fan coil units · Airflow control units · labair[®] system

Engineering services

Technical services for investors, architects, engineers and plant builders during design, construction and operation of buildings. Reliable and precise data relating to the ventilation of air conditioning system are given already before realization of the project, determined by measurements, calculations, building simulations and experiments.

The Program for Process Air Technology

Components

Axial-flow, centrifugal and tangential fans · Collector system for: coarse and fine particle filtration, separating and compacting, compressing and humidifying.

Engineering services

Technical services for construction engineers and plant designers during development and operation of assembly groups, machines and plants.

Diffusers are most important for the performance of A/ C and ventilation systems in the room

Application

The Displacement Diffuser DLQ was specially designed for:

- Foyers and entrance areas
- Sports arenas and crowded areas
- Work areas where ventilation from above is not possible
- Areas where inductive ventilation is not wanted
- Work areas with extreme heat loads and elevated levels of contaminants

The LTG Displacement Diffuser type DLQ can be installed at a height of up to 3-4 m, or on the floor. The airflow connection can be from below or from above.

With the Displacement Diffuser type DLQ, LTG has expanded its diffuser series of the cylindrical perforated sheet metal housing Type DL. LTG now offers a complete scope of supply for comfort and industrial applications with a suspension height of up to 12 m.

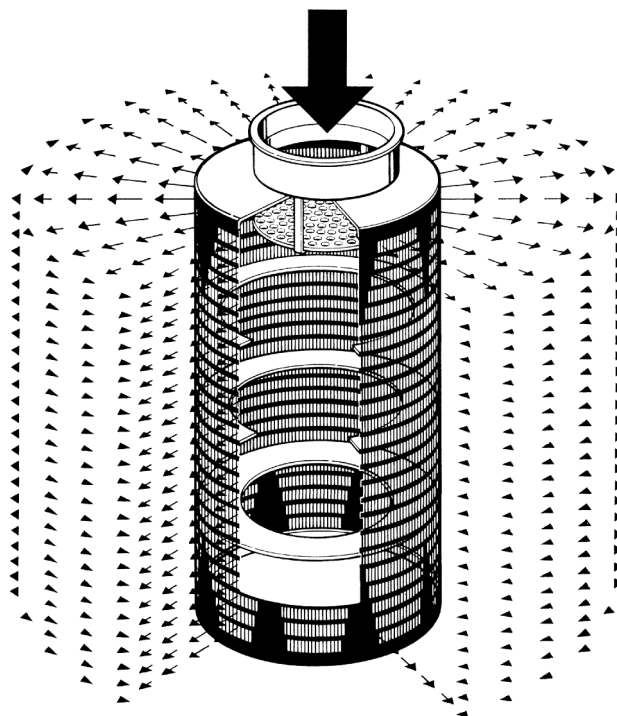
The advantages

- low pulsating flow of supply air
- high capacity
- low noise level
- radial air distribution
- low air velocities in the room
- flexibility in connection and installation

The function

The supply air flows through a perforated sheet metal plate into the housing and is diverted by internally mounted deflectors. The specially designed perforation of the cylindrical housing decreases the supply air velocity quickly and reduces the noise level.

After a short horizontal movement, the supply air quickly falls to low level at low velocity and disperses. In areas with machinery and work stations, the hot air rises and people get to enjoy cooled supply air.



Dimensions

Height without connecting piece:	860 mm / 33.9"
Total height:	920 mm / 36.2"
Connecting piece diameter:	315 mm / 12.4"
Nominal diameter:	500 mm / 19.7"

Design

The Displacement Diffuser Type DLQ is available in model size 500. The perforated sheet metal housing is made of galvanized sheet steel and can be powder coated in colors similar to RAL to match the architectural features requested by the owner.

Legend

DLQ 500 / M / P 7035

Duct connection _____

S = plug connection
 F = flange connection
 M = Metu flange connection (recommended standard)

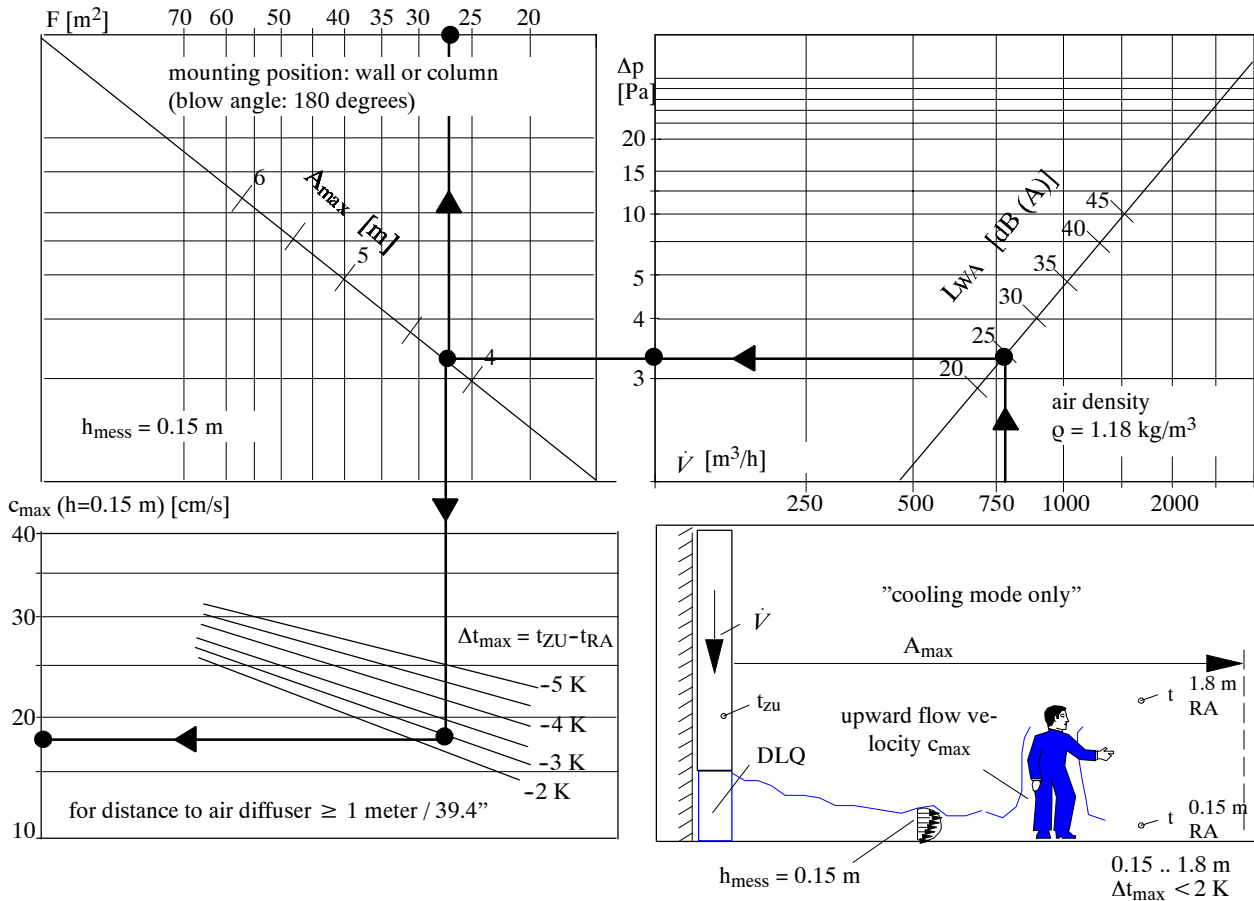
Surface _____

V = galvanized
 P.. = powder coated similar to RAL
 color number has to be supplied

Displacement Diffuser Type DLQ

Selection diagram of DLQ 500

(standing on the floor)



The design

When the flow volume is known, and depending on the mounting choice, the above diagrams will show the following air engineering data:

Noise level	L_{WA} [dB(A)]
Pressure drop	Δp [Pa]
Max. distance of air distribution	A_{max} [m]
Ventilated area	F [m ²]

Depending on the temperature difference Δt between supply and room air, the room air velocity can be read from the chart for a distance of 1 m from the diffuser at a height of 0.15 m off the floor.

Example 1:

Comfort range with floor-level installation

Known values:

Air volume	$\dot{V} = 800$ m ³ /h
Temperature difference	$\Delta t = -3$ K

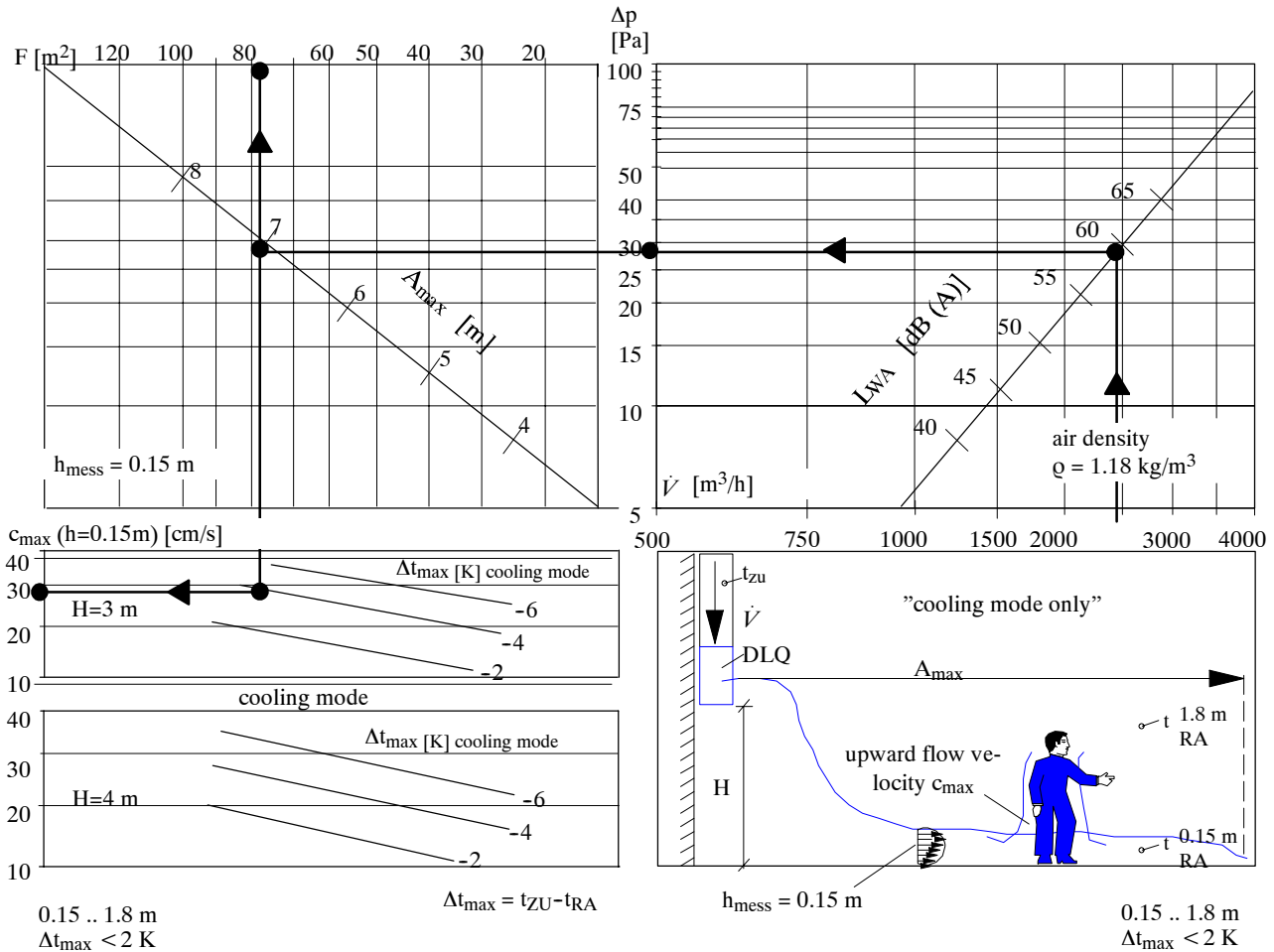
Read from chart:

Noise level	$L_{WA} = 25$ dB(A)
Pressure drop	$\Delta p = 3.5$ Pa
Max. distance of air distribution	$A_{max} = 4.3$ m
Ventilated area	$F = 28$ m ²
Supply air velocity	$c_{max} = 0.30$ m/s

Displacement Diffuser Type DLQ

Selection diagram of DLQ 500

(mounting height 3...4 m)



Example 2: Industrial application, mounted freely suspended at a height of 3 m

Known values:

Air volume $\dot{V} = 2500$ m³/h
 Temperature difference $\Delta t = -4$ K

Read from chart:

Noise level $L_{WA} = 60$ dB(A)
 Pressure drop $\Delta p = 30$ Pa
 Max. distance of air distribution $A_{max} = 7$ m
 Ventilated area $F = 78$ m²
 Supply air velocity $c_{max} = 0.30$ m/s

Displacement Diffuser Type DLQ ***Specification and schedule of prices***

Qty.	Performance specification	Unit price in €	Total price in €
	<p style="text-align: center;"><i>LTG Displacement Diffuser Type DLQ</i></p> <p><u>Features:</u></p> <p>Air displacement diffuser for cooling, for installation heights of up to 4 m or floor level. Suitable for convenience and industrial areas. For low-impulse supply air, and both low sound power level and room air speeds, with a broad radial spreading of the air. Variable inflow possible from both above and below.</p> <p><u>Diffuser comprising of:</u></p> <p>Cylindrical perforated sheet jacket with specially designed perforation for a rapid reduction of the supply air speed and low sound power level as well as interior orifice plates for low-noise supply air guidance and integrated deflection plate for optimum supply air spreading</p> <p><u>Sizes:</u> o 500 mm ø (height w/o socket: 860 mm, overall height: 920 mm, socket diameter: 315 mm)</p> <p><u>Surface finish:</u> o v = galvanized o l = painted similar to RAL</p> <p><u>Duct connection:</u> o S = plug connector o F = flanged connection o M = metu (recommended standard)</p> <p>Manufacturer: LTG Aktiengesellschaft Series: Industrial Diffusers Type : DLQ</p>		